

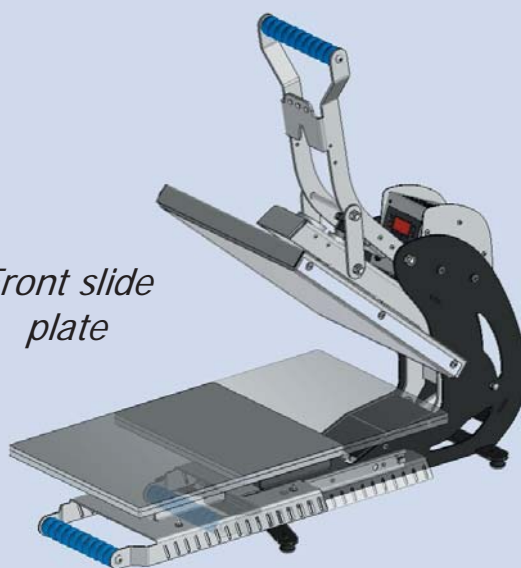
CLAM PRO

*Automatic
opening
electromagnet*



- **2 years** guarantee on the machine.
- **10 years guarantee** on heating element.
- **Automatic opening.**
- **Optimum distribution of pressure and heat.**
- **Large plate 40x50cm.**
- **Reversible lower plate 180°**
- **Optimized size and space**
- **« DRY » function for drying direct printing (optional)**
- **Compatible with laser printed paper (heavy pressure)**
- **Manufactured in France.**

*Front slide
plate*



Accessories



Table

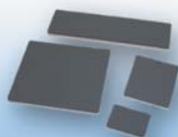


Plate Kit



Cover

Technical characteristics

Plates Sizes	400 x 500 mm
Weight	57 kg
Pressure	469 gr/cm ²
Max Temperature	220°C
Power Supply	230 V
Electric Power	2500 W
Amperage	11 A

Dimensions



Settings



Electronics developed by Sefa.

Accurate and fast regulation (PID control) for a wide range of heat transfer products : Flex, lock, sublimation, screen printing transfer.



Advanced electronics

Double timer (main + pre-heat)
2 counters,
3 programmes
Power save mode

From 0 to 570 sec (precision +/- 1%).

From 0 to 220°C (precision +/- 1%).

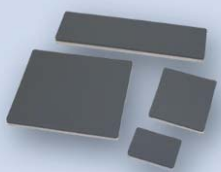
Temperature rising time from 0 to 180°C : 15 mn.

Accessories



Table TAB-PRO2-EXT :

Strong support table, perfect for Sefa presses
With retractable extensions on each side



Plates kit PLA-7A

Set of 4 plates,
Useful for precise work.
120x80 mm - 150x150 mm
120x450 mm - 250x300 mm



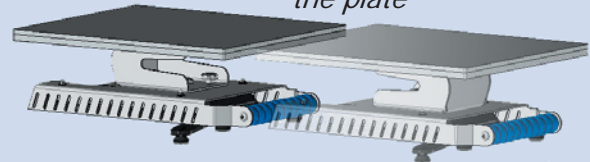
Cover HOU-50 :

High temperature resistant NO-MEX®
Softer and gliding surface to easily put your textile on the plate.
Protecting the foam as well.

Equipments

Reversible lower plate 180°

To put T-shirt either from the front or the back of the plate

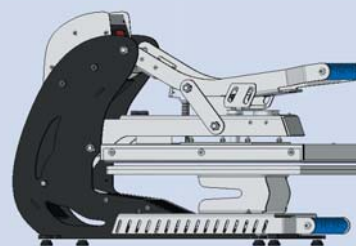


Front slide plate

For a complete clearance of the plate



« DRY » Function (optional)



Contactless approach for direct printing drying