

E-CLAM 50 REL / AUTO

Automatic opening by electromagnet on AUTO version

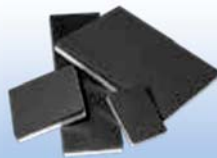


- Perfect heat & pressure distribution
- Plates of 40x50cm
- Ideal for small production or startup
- Optimized dimensions
- Manufactured in France
- 1-year guarantee on the machine
- 10-year guarantee on heating element

Accessories



Support table



Set of plates



Nomex® cover

Technical characteristics

Plates size	40 x 50 cm
Weight	44 kg
Pressure	254 gr/cm ²
Max temperature	220°C
Power supply	240 V single phase + ground
Electric power	2500 W
Amperage	11 A

Settings



Electronics developed by Sefa.

Accurate and fast regulation (PID control) for a wide range of heat transfer products : Flex, flock, sublimation, screen printing transfer.



Advanced electronics

Double timer (main + pre-heat)
2 cycle counters,
3 settable programs
Stop cycle function

From 0 to 570 sec (precision +/- 1%).
From 0 to 220°C (precision +/- 1%).
Heating time to reach 180°C : 15 min.

Accessories



Table TAB-98 PRO

Strong support table for SEFA heat presses.



Set of 4 plates PLA-7A:

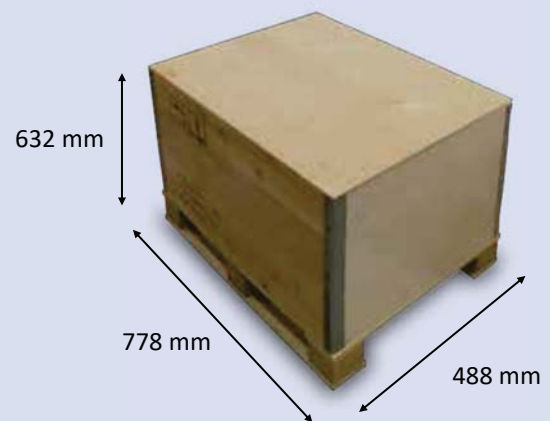
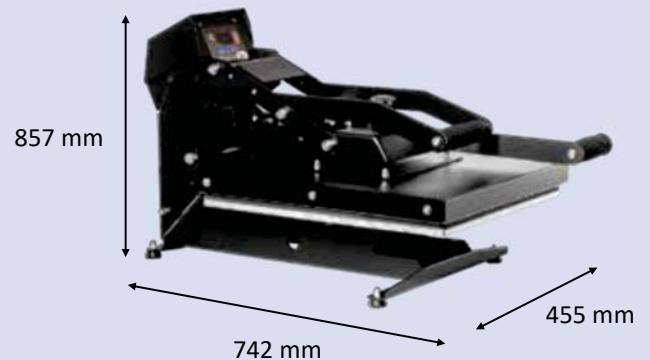
Useful for precise work.
Dimensions:
12 x 8 cm - 15 x 15 cm
12 x 45 cm - 25 x 30 cm



Nomex® cover HOU-50 :

Heat resistant NOMEX® cover to protect the lower plate and make the threading easier.

Dimensions



Box weight CAI-NO3 : 12 kg